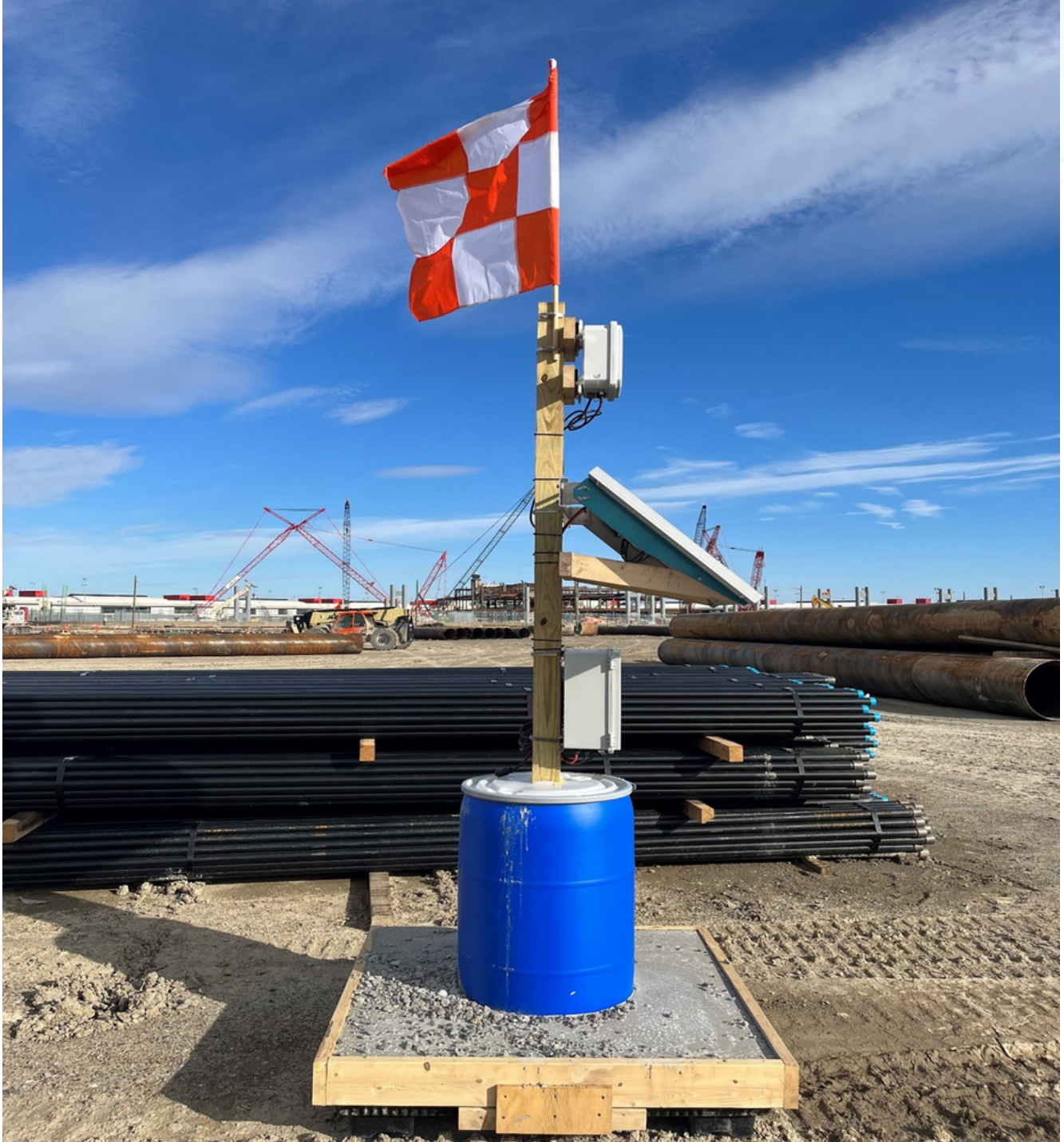
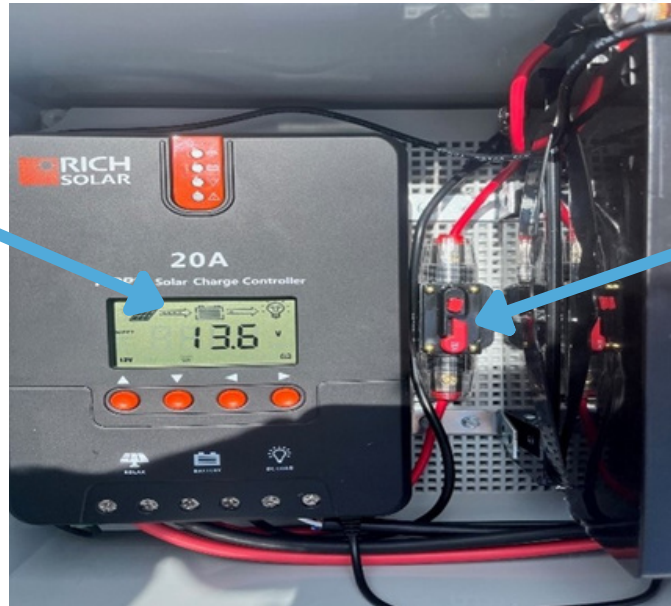


Eyrus Solar Unit Instructions



1. Unbox the Battery box, Eyrus BLE reader, mount and panel. Make sure all the necessary parts are included to install the mount.
2. Test the Battery box and panel before beginning the installation.
 - a. Open the battery box and flip the breaker into the on position (see picture below).

Both arrows will indicate power is being transferred when everything is connected.



Flipped into on position, push button above to cut connection to battery.

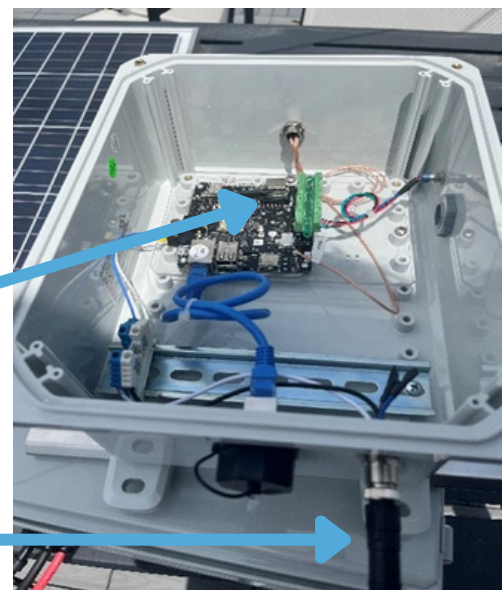
- b. With the panel completely unboxed, plug the male and female connections from the panel into the battery box male and female connections (see picture below). PAY ATTENTION MAKE SURE THAT THE PLUG COMING FROM THE PANEL IS THE POSITIVE GOING INTO THE POSITIVE AND NEGATIVE INTO NEGATIVE. IF THAT IS NOT POSSIBLE PLEASE CONTACT SUPPORT FOR FURTHER INSTRUCTIONS.



- c. Locate the power cord coming off of the battery box and plug that into the BLE box with the Eyrus label on it. Unscrew the top of the box and visually confirm the box is getting power through the lights on the board (see below) Once everything is confirmed as powered you are ready to install the unit in place.

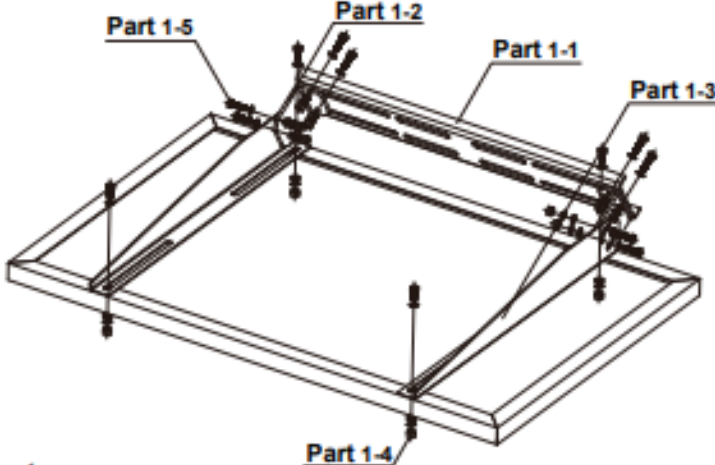
Lights indicating unit is receiving.

Power Cord from battery box.









Thank you for purchasing SOLARLAND products. SLB-0114 mounting kits are used for 85W-160W SOLARLAND panels at an tilt angle from 0°--- 90°

Components And Parts



Part

	Part 1-1
Component	Fixed Bracket
Material	5052Al
Quantity	1
	Part 1-2
Component	Strutting Piece
Material	5052Al
Quantity	2
	Part 1-3
Component	Tilt Arm
Material	5052Al
Quantity	2
	Part 1-4-1
Component	Mounting Bolt(M8×20)
Material	AISI304
Quantity	4
	Part 1-4-2
Component	Mounting Bolt(M6×20)
Material	AISI304
Quantity	4
	Part 1-5
Component	Mounting Bolt(M8×30)
Material	AISI304
Quantity	8

Step1. Attach the PV module to the mounting bracket using the nuts, bolts, washers, and lock washers provided. See **figure 1**. Caution: If additional holes on the frame of the PV module are needed, great care must be used when drilling. Damage to the module can easily occur rending it useless. You may find it helpful to lubricate the nut and bolt to facilitate easy removal at a later date.



figure 1

Step2. To adjust the tilt angle of the PV panel, change the location of M8 bolts in the arc hole of the tilt arms. Remember to use lock washers to prevent vibration from working them loose.

Step3. Place PV module and mount assembly on mounting surface in the exact place to be installed. See **figure 2**. Use at least 4 fastening points. Use four M8 bolts, washers, lock washers and nuts if possible. Otherwise use wood screws, sheet metal screws, anchors, or moly bolts (not included).

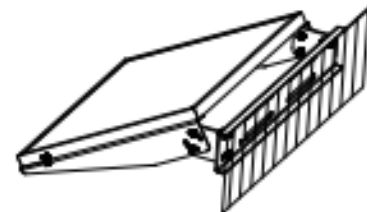


figure 2

Step4. Be sure to seal all roof or wall penetrations with a compatible weatherproof sealant.

Note

Pole Mounting can be accomplished using two U-bolts (not included). See **figure 3**.

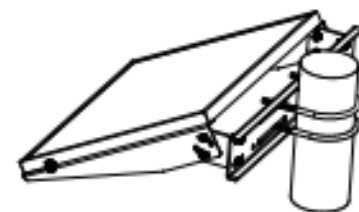


figure 3

SLB-0114

Double Arm Side of Pole/ Wall Mount

(For use with Solarland SLP085-SLP160,
CSA & CI D2 Series panels)



The Solarland® SLB-0114 has been specifically designed to be used with the Solarland® SLP Series panels ranging in size from 85W -160W. The double arm bracket provides a safe and secure mount to a pole, wall or fence.

Specifications

Mounting Type	Double Arm Side of Pole/Wall Mount
Module Type	Specifically designed to work with Solarland SLP series panels, but can be adapted for use with other panels
Number of Modules	Mounts 1 Panel
Setting Angle	0°-90°
Wind Load	Designed to withstand wind speeds of 90mph
Snow Loading	1.1kN/m²
Warranty	5 Years

Kit Components

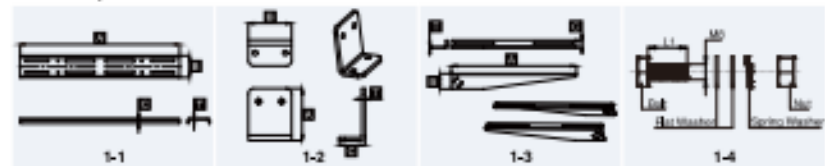
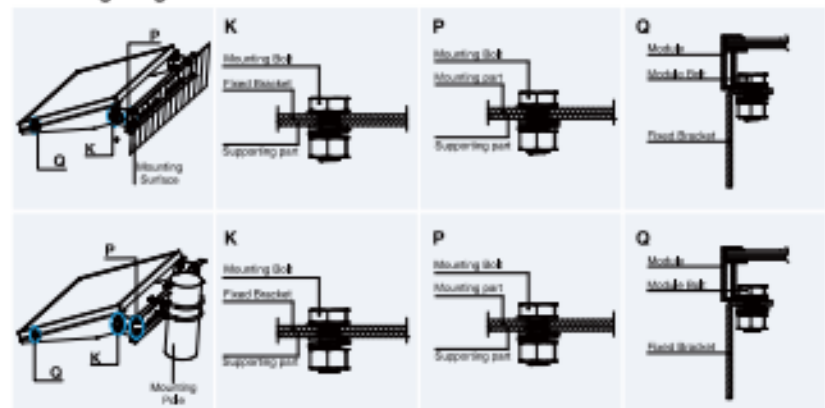


Diagram	Component	Material	Surface Treatment	Quantity	Dimensions
1-1	Fixed Bracket	5052Al	N/A	1	A=800mm[31.50in.], B=110mm[4.33in.], C=25mm[0.98in.], T=5.0mm[0.20in.]
1-2	Fixed Bracket	5052Al	N/A	2	A=100mm[3.94in.], B=83mm[3.27in.], C=60mm[2.36in.], T=6.0mm[0.24in.]
1-3	Tilt Arm	5052Al	N/A	2	A=675mm[26.57in.], B=82mm[3.23in.], C=50mm[1.97in.], T=3mm[0.12in.]
1-4	Module Bolt	A618304	N/A	4	M6X25[0.98in.]
	Mounting Bolt	A618304	N/A	8	M6X25[0.98in.]

*Note: U-Bolts or Steel Clamps are not supplied in this kit and must be procured separately if pole mount is required

Mounting Diagram



Note:

- When using this kit with another brand of panel you may need to change the module bolts to suit the mounting holes on the panel. M6 & M6 bolts are provided with this kit for your preference.

Office Address

301 Doubleday Ave. Ontario, CA 91761

Connecting the Unit

1. Once the Panel has been mounted, mount the Battery box below the panel and the BLE reader above the panel. Both Battery box and BLE unit include mounting plates and large hose clamps. Ideally the BLE unit is mounted 8-10' off the ground.
2. Once every thing has been mounted connect all necessary wires (see below for correct locations) and be sure to ziptie any loose wiring. Once everything has been connected contact Eyrus support to ensure everything has come online appropriately.

